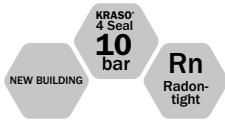


TECHNICAL DATA SHEET



KRASO® Universal Funnel

Application areas

For the installation in waterproof concrete base plates.

Technical details

- + For the connection of displaced KG/HT pipes and for the connection to KG/KG 2000 lines
- + Displaced fall pipes can be corrected easily with bends up to 45 degrees
- + Made of break-resistant solid wall material
- + Integrated plug-in sleeve with diameter DN 110 and threefold reinforced lip ring
- + Surrounding connection flange with textured surface
- + With lugs, including walkable building period protective cover
- + Optionally available:
screwable stainless steel clamping flange for fixed-loose flange construction

Tests

- + **KRASO® 4 Seal** - MPA-tested up to 10 bar!
- + IAF-tested: radon-tight!
- + DafStB waterproof concrete guideline: stress class 1 + 2, DIN 18533 W1 -E

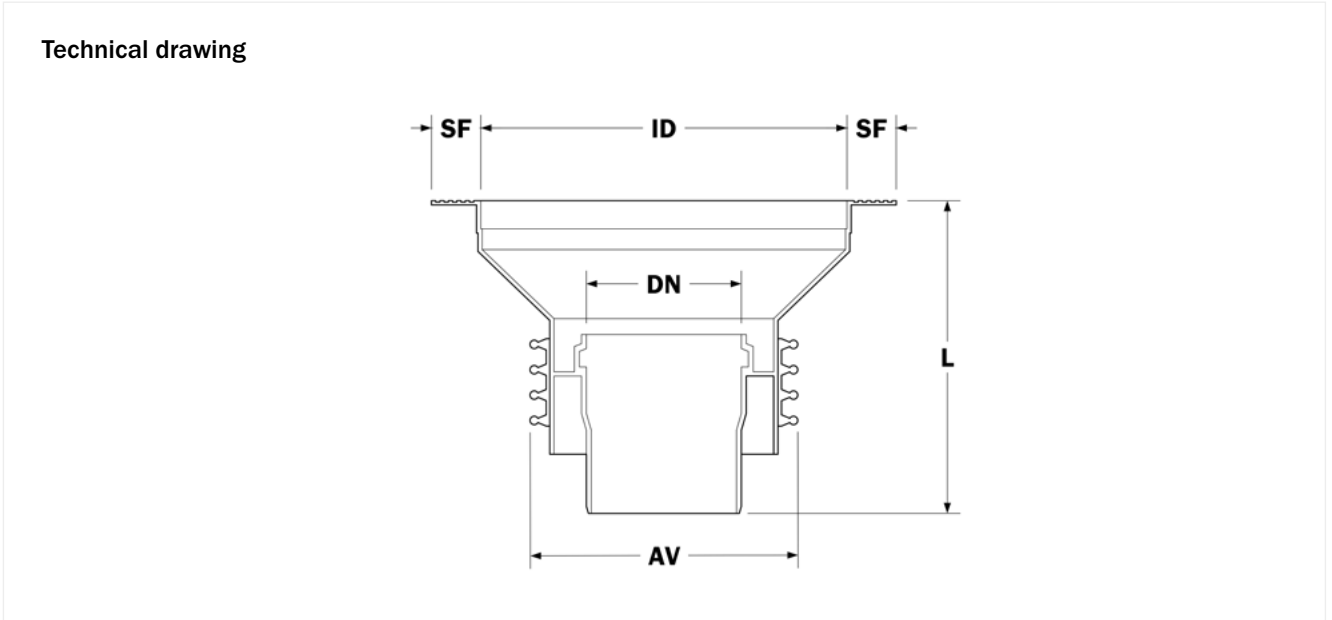


Material

Main body	PP-MD
4 seal	TPE
Lip ring	SBR
Cover	PP
Building period protective cover	Polystyrene (EPS) & thin sheet metal (galvanised)

TECHNICAL DATA SHEET

KRASO[®] Universal Funnel



DN = nominal width | **L** = length | **ID** = internal diameter funnel | **SF** = trowel flange | **AV** = 4 seal external

Item	DN (mm)	L (mm)	ID (mm)	SF (mm)	AV (mm)	Weight (kg)	Item no.
Universal Funnel	110	222	260	35	190	1.1	KUT110