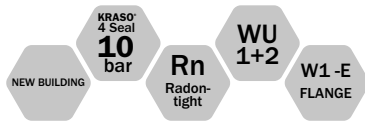


TECHNICAL DATA SHEET



KRASO® Yard-/Parking Level Drain with stainless steel grate and foil flange Type 1.5

Application areas

Drain for the drainage of grey water, for installation in areas with moderate traffic.

Technical details

- + In accordance with DIN EN 1253
- + Connection either for KG, HT or KG 2000 pipes DN 110, vertical drain
- + Load class A up to 1.5 t
- + Drainage capacity: 4.3 l/s
- + With frost proof odour barrier and removable sand trap basket, with slot grating approx. 19 x 19 cm and frame made of stainless steel, screwable
- + Incl. foil flange for integration of a bituminous sealing sheet according to DIN 18533 W1 -E
- + Base plate thickness at least 17 cm

Tests

- + **KRASO®** 4 Seal - MPA-tested up to 10 bar!
- + IAF-tested: radon-tight!
- + DafStB waterproof concrete guideline: stress class 1 + 2, with foil flange DIN 18533 W1 -E

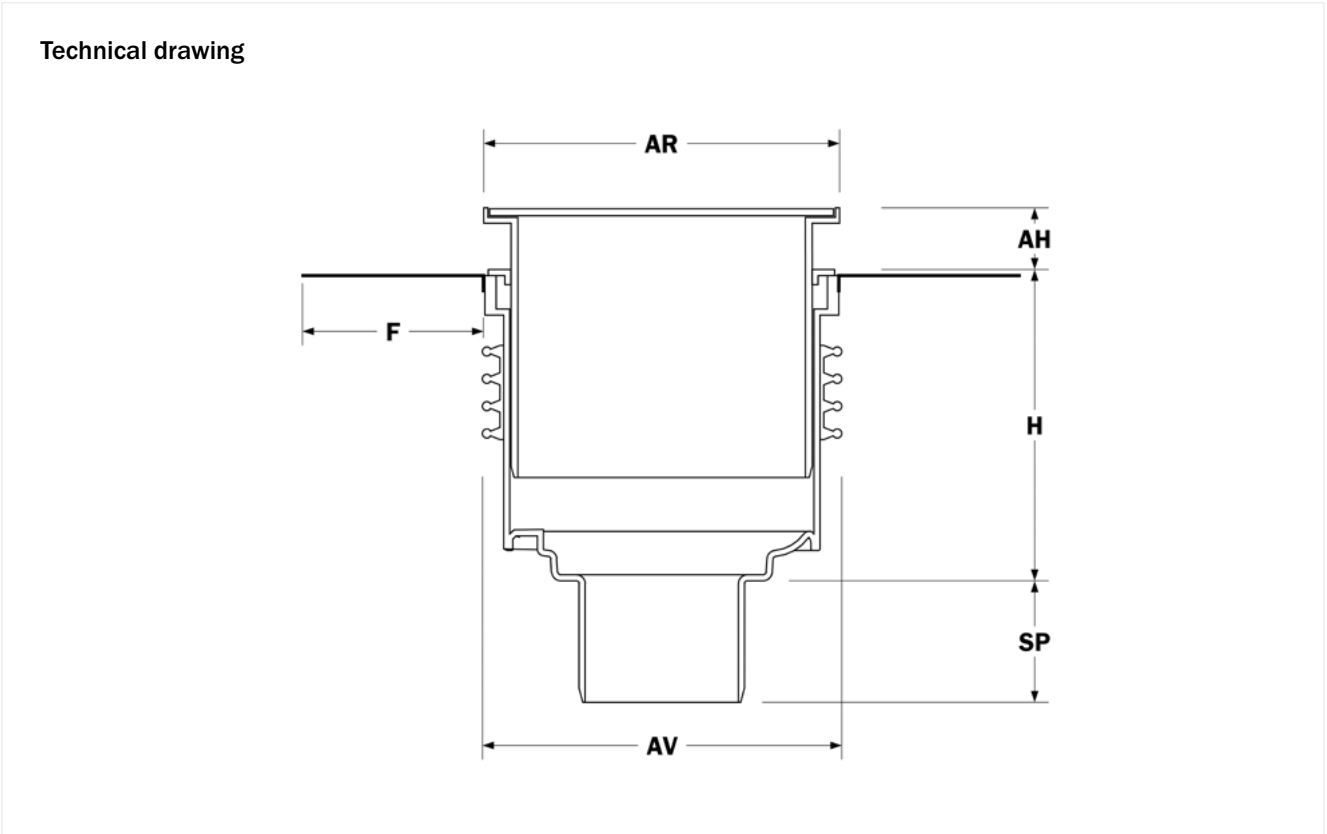


Material

Main body	ABS
Insert frame & slot grating	ABS & non-corrosive stainless steel V2A
4 seal	PVC
Foil flange	PVC (bitumen-compatible)

TECHNICAL DATA SHEET

KRASO® Yard-/Parking Level Drain with stainless steel grate and foil flange Type 1.5



H = height main body | SP = spigot | AH = height insert frame | AR = insert frame | AV = 4 seal exterior | F = foil flange (surrounding)

Item	H (mm)	SP (mm)	AH (mm)	AR (mm)	AV (mm)	F (mm)	Ø Pipe connection (mm)	Weight (kg)	Item no.
Yard-/Parking Level Drain with stainless steel grate and foil flange Type 1.5	205	80	25 - 60	204 x 204	~238	150	DN 110	3.3	KHA15EF