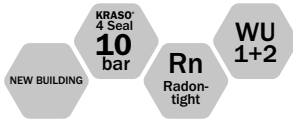


TECHNICAL DATA SHEET



KRASO® Wall Penetration Type Universal D

Application areas

For installation in waterproof concrete walls, for KG/HT pipes to be pushed through.

Technical details

- + Made of dimensionally stable and pressure-resistant solid wall material with low abrasion
- + In accordance with DIN EN 1401
- + Temperature resistance up to 60 °C
- + With integrated push-through sleeve
- + With markings for a simple shortening on-site to standard wall thicknesses
- + Incl. 2 **KRASO®** Covers as installation aid

Tests

- + **KRASO®** 4 Seal - MPA-tested up to 10 bar!
- + IAF-tested: radon-tight!
- + DafStB waterproof concrete guideline: stress class 1 + 2

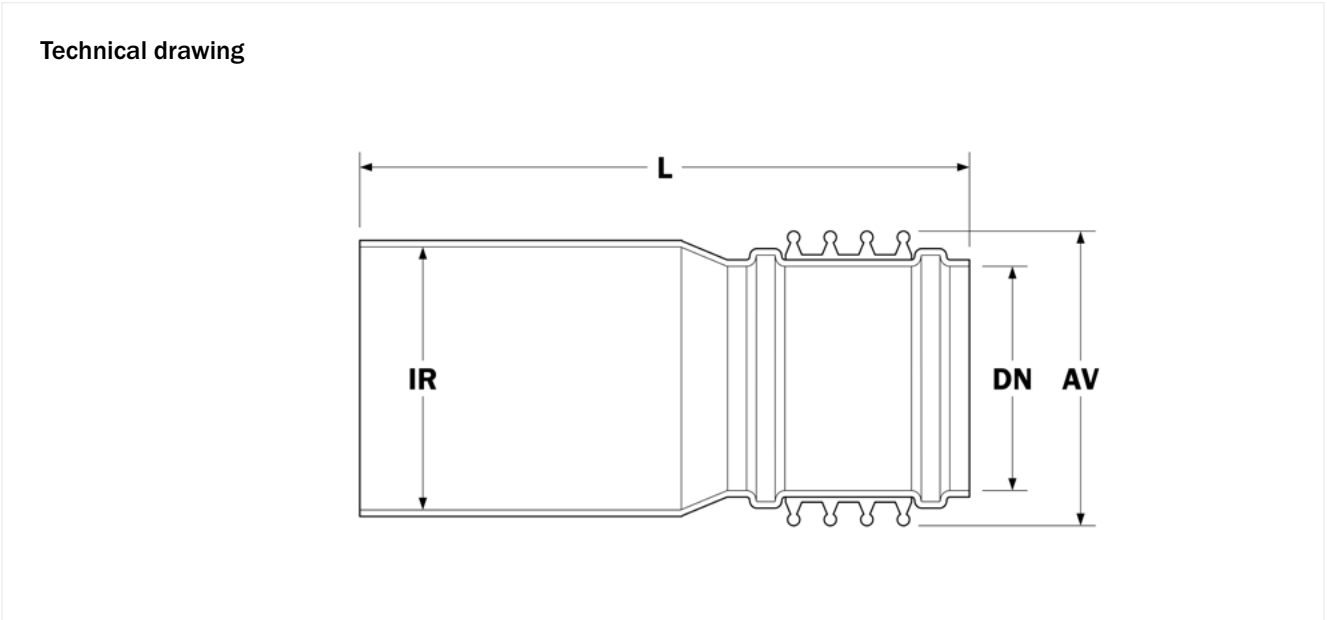


Material

Pipe	PVC
4 seal	PVC
Cover	PP
Lip seal	SBR (for KG)

TECHNICAL DATA SHEET

KRASO® Wall Penetration Type Universal D



DN = nominal diameter | **L** = length | **IR** = pipe interior | **AV** = 4 seal exterior

Item	DN (mm)	L (cm)	IR (mm)	AV (mm)	Weight (kg)	Item no.
Universal D	110	12 - 30	~130	~144	0.8	KDUNI110
	125	12 - 30	~147	~159	1.1	KDUNI125
	160	17 - 36.5	~192	~196	1.6	KDUNI160