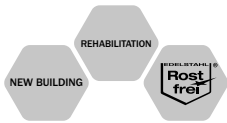


## TECHNICAL DATA SHEET



### KRASO® Support Rings for corrugated pipes

#### Application areas

For ribbed/corrugated cable protective hoses\*, for even contact pressure and to prevent deformation

#### Technical details

- + Made of non-corrosive stainless steel V2A
- + Scope of supply:  
2 pcs. **KRASO®** Support Rings for corrugated pipes

\* Profile geometry suitable for corrugated pipe manufacturer Fränkische Rohrwerke, pipe type "KABUFLEX".  
Other brands available on request.



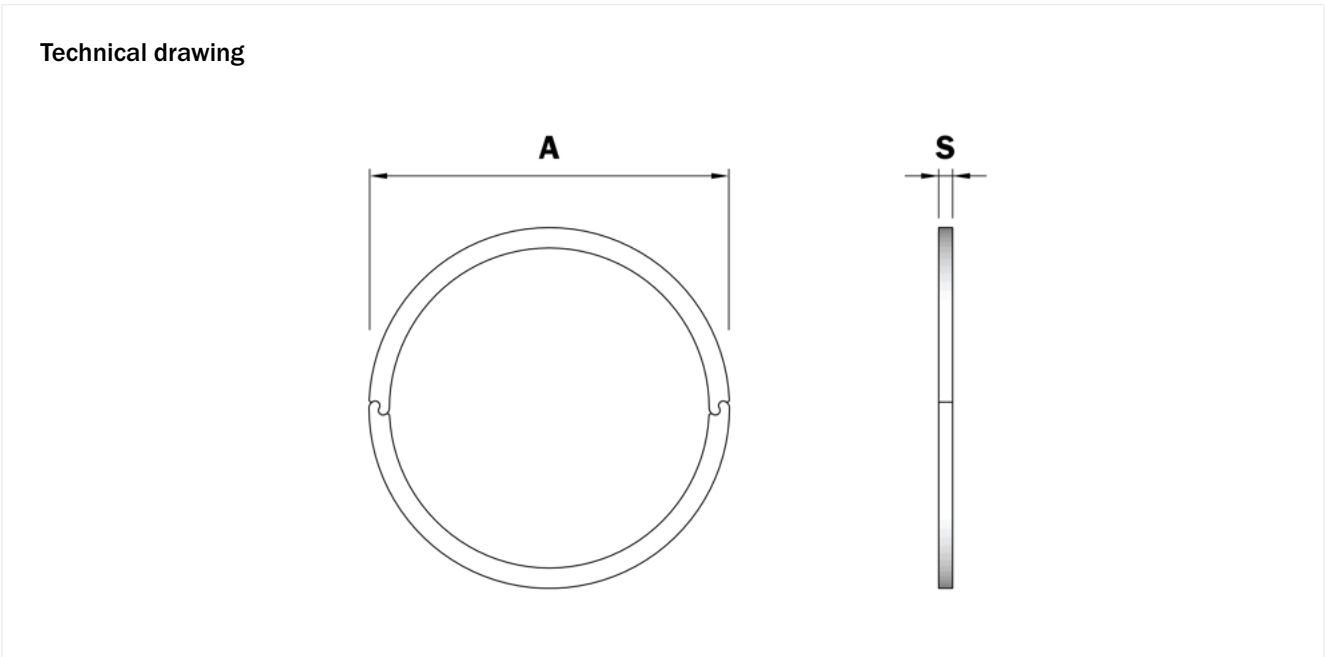
#### Material

Support Rings for  
corrugated pipes

non-corrosive stainless steel V2A

## TECHNICAL DATA SHEET

### KRASO<sup>®</sup> Support Rings for corrugated pipes



**A** = scope of application | **S** = material thickness

Item	A (DN)	S (mm)	Item no.
Support Rings for corrugated pipes	63	3	KWRSR063
	75	3	KWRSR075
	90	3	KWRSR090
	110	3	KWRSR110
	125	3	KWRSR125
	160	3	KWRSR160