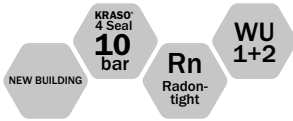


TECHNICAL DATA SHEET



KRASO® Builder's Convenience Box - floor - 150

Application area

single utility connection for supply lines, e.g. water, electricity, telecommunication etc. for buildings without basement.

Technical details

- + The safe utility connection for larger media lines for buildings without basement, e.g. electricity or water for residential buildings or commercial buildings
- + Usable with **KRASO®** Sealing Insert with large flange as utility connection entry or outlet: sealing inserts in various designs with stepless onion ring technology
- + External optional connection possibilities: connection to **KRASO®** FLS, cable protectives hoses DN 110 or DN 160 or KG empty pipe systems with DN 160
- + Stable installation device incl. rigid empty pipe with bending radius from 1000 mm
- + Including empty pipe insert (25 cm, internal diameter: 150 mm) for a flexible floor construction
- + **Optionally available:**
roughened plastic trowel flange for the integration into bituminous sealing sheets (surrounding approx. 5.5 cm) according to DIN 18533 W1 -E

Tests

- + **KRASO®** 4 Seal - exterior sealing of concrete: 10 bar!
- + Radon-tight!
- + DafStB waterproof concrete guideline: stress class 1 + 2, with trowel flange DIN 18533 W1 -E



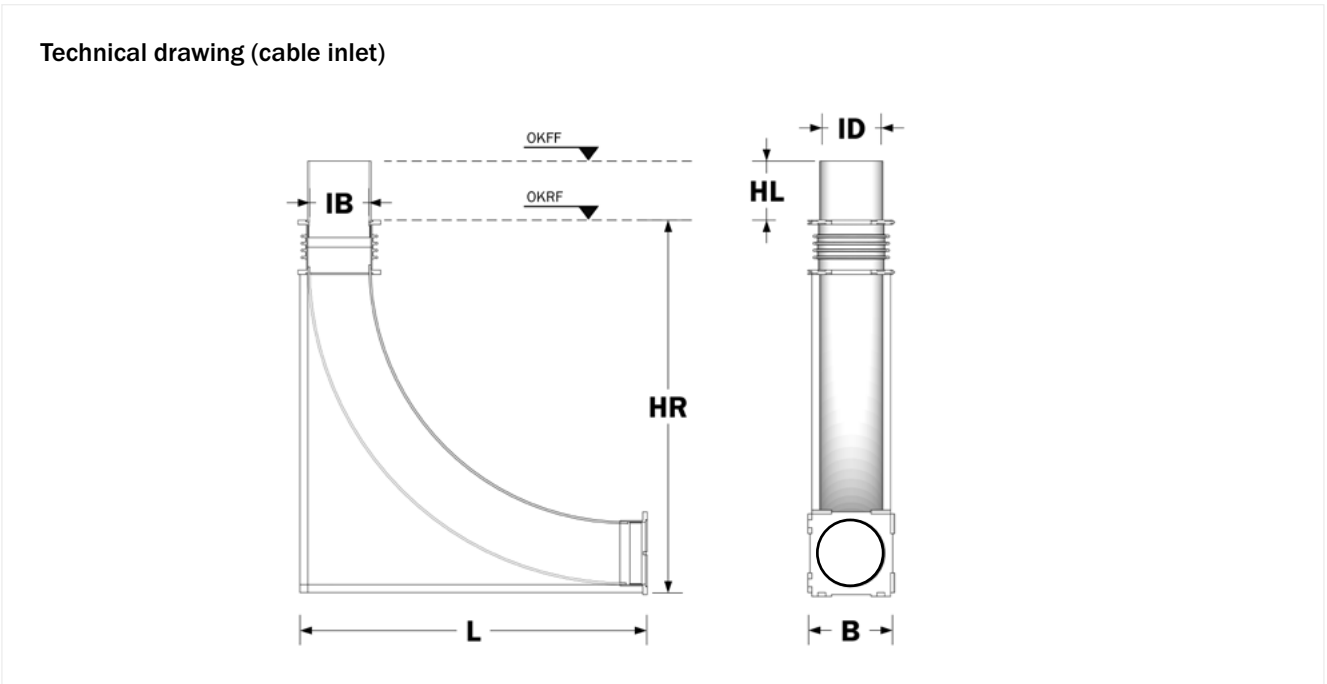
Material

Frame / base plate element	ABS
Bend	PVC
4 seal	PVC
Trowel flange (optional)	PVC
Empty pipe insert	PC / ABS / PVC



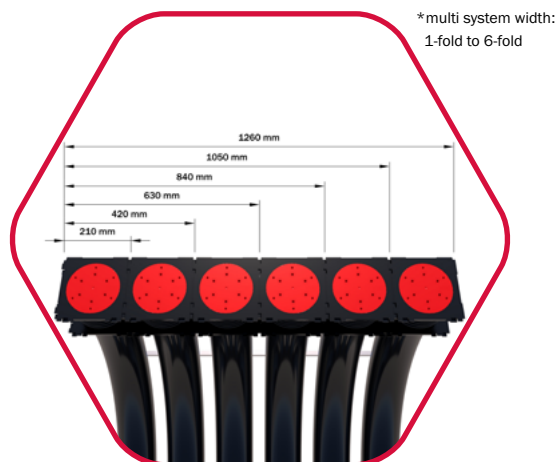
TECHNICAL DATA SHEET

KRASO® Builder's Convenience Box - floor - 150



IB = internal diameter bayonet fitting | **ID** = internal diameter empty pipe insert | **HR** = height shell component | **HL** = height empty pipes insert | **L** = length | **B** = width
OKFF = top edge finished floor | **OKRF** = top edge unfinished floor

Item	Radius (mm)	IB (mm)	ID (mm)	HR (mm)	HL (mm)	L (mm)	B* (mm)	Weight (kg)	Item no.
Builder's Convenience Box - floor - 150	1000	160	150	1330	250	1185	210	12.0	KBKP150



TECHNICAL DATA SHEET

KRASO® Builder's Convenience Box - floor - 150 (accessories)



Material	
Clamping plates	non-corrosive stainless steel V2A
Bolts	non-corrosive stainless steel V2A
Washers	non-corrosive stainless steel V2A
Nuts	Torque Control Nut KRASO® DKM
Seal	EPDM 50° +/-5° Shore

System cover	PC
Union nut	ABS
Sleeve & Lip seal	PVC & SBR
Hose adapter & metal clamps	EPDM & non-corrosive stainless steel V2A

Sealing inserts with stepless union ring technology, optionally:		System cover, optionally:	
Design 1	3 x 6 - 52 mm or blind	Design 1	hose adapter 160
Design 2	4 x 6 - 18 mm and 6 x 6 - 33 mm or blind	Design 2	hose adapter 160
Design 3	6 x 6 - 38 mm or blind	Design 3	sleeve DN 160
Design 4	1 x 50 - 92 mm or blind		